

MOBILE secondary scraper

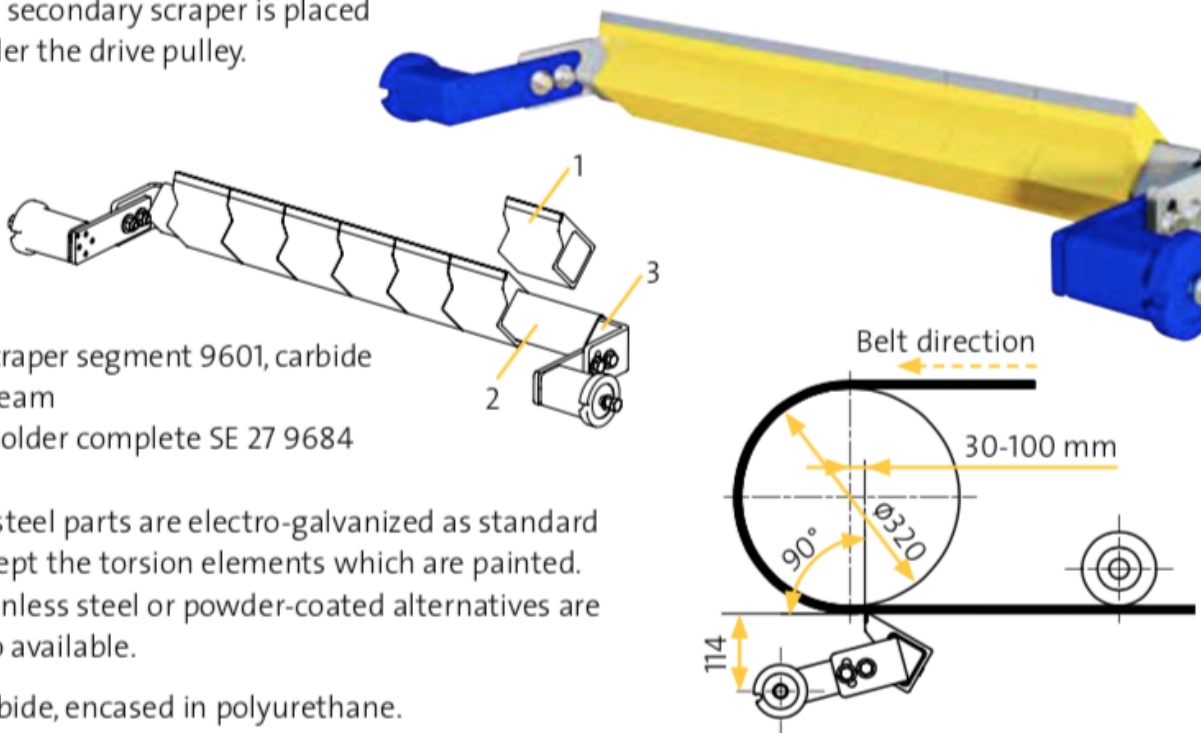
9600

MOBILE SCRAPER, CARBIDE – Heavy duty scraper for mobile crushers.

The Mobile secondary scraper 9600 is a heavy duty and robust scraper designed for mobile crushing plants. The scraper can also be used even in fixed installations.

Each scraper segment is made of polyurethane and has a molded carbide tip for an excellent cleaning effect and durability. The spring is kept in place by two torsion elements which also serve as holder. The pressure of the carbide blade against the belt comes from two pre-tensioned torsion springs. The installation dimensions of the scraper can be steplessly adjusted.

The secondary scraper is placed under the drive pulley.



- 1. Scraper segment 9601, carbide
- 2. Beam
- 3. Holder complete SE 27 9684

All steel parts are electro-galvanized as standard except the torsion elements which are painted. Stainless steel or powder-coated alternatives are also available.

Carbide, encased in polyurethane.

ART.NO.	B-W	SCRAPER WIDTH	INSTALLATION DIMENSIONS
9604	400	400	720
9605	500	500	820
9606	650	600	920
9608	800	700	1020
9610	1000	900	1220
9612	1200	1100	1420
9614	1400	1300	1620
9616	1600	1500	1820